

## Simplicity Bubblers Cold Beverage Dispensers 2x9,1 L+1x18 L, agitator model

ITEM # \_\_\_\_\_

MODEL # \_\_\_\_\_

NAME # \_\_\_\_\_

SIS # \_\_\_\_\_

AIA # \_\_\_\_\_


**600554 (ECS3D22)**

 Chilled Beverage Dispenser  
 with 2x9 l bowls and 1x18 l  
 bowl and agitator

### Short Form Specification

**Item No.** \_\_\_\_\_

Cold beverage dispenser, 2x9lt+1x18lt, with agitation function for fresh juices, coffees, or teas with minimal foaming system. Dispense 3 flavors in (2) 2.4 gallon / 9lt and (1) 18lt easy-clean bowls with 23cm cup clearance. Easy-off bowl release system for faster and easier assembly and disassembly.

Temperature range from 1.7 - 5° C. Pre-mix dispenser with stainless steel base and clear plastic bowls. Compact size of 52 cm.

### Main Features

- Agitation function for fresh juices, coffees, or teas with minimal foaming system.
- Easy-off bowl release system for faster and easier assembly and disassembly.
- User friendly design enables machine to dispense product till the very last drop.
- Dispense 3 flavors in (2) 9 L and (1) 18 L easy-clean bowls with 23 cm cup clearance.

### Construction

- Pre-mix dispenser with stainless steel base and clear plastic bowls.
- Fewer removable parts to simplify cleaning and reduce maintenance.
- Temperature range from 1.7 - 5° C.
- Compact size of 52 cm wide saves valuable counter space.
- The air intakes from the bottom and exhaust to back.

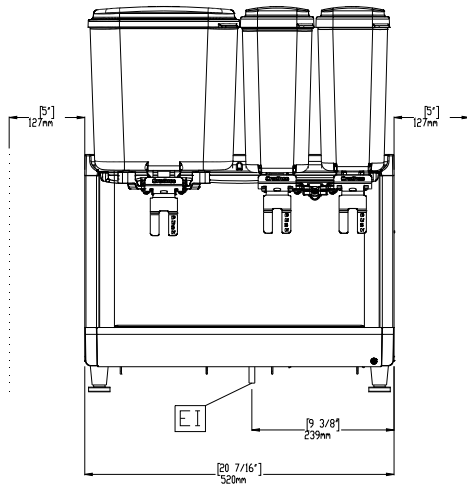
**APPROVAL:** \_\_\_\_\_



**Electrolux**  
PROFESSIONAL

## Simplicity Bubblers Cold Beverage Dispensers 2x9,1 L+1x18 L, agitator model

Front



### Electric

Supply voltage:

600554 (ECS3D22) 230 V/1 ph/50/60 Hz

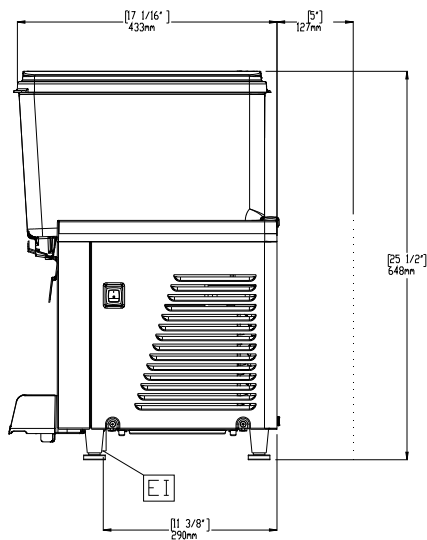
Electrical power max.:

1 kW

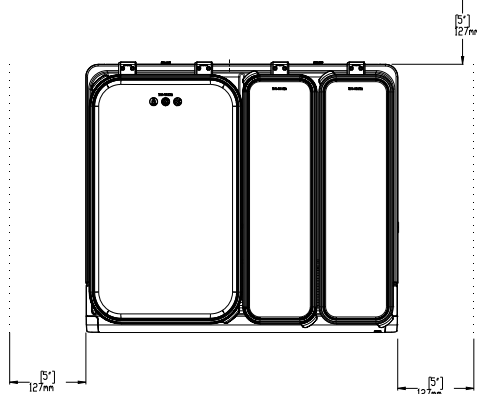
### Key Information:

External dimensions, Width:	521 mm
External dimensions, Depth:	451 mm
External dimensions, Height:	699 mm
Net weight:	32 kg
Shipping weight:	37 kg
Shipping height:	650 mm
Shipping width:	500 mm
Shipping depth:	650 mm

Side



Top



Simplicity Bubblers  
Cold Beverage Dispensers 2x9,1 L+1x18 L, agitator model

The company reserves the right to make modifications to the products without prior notice. All information correct at time of printing.

